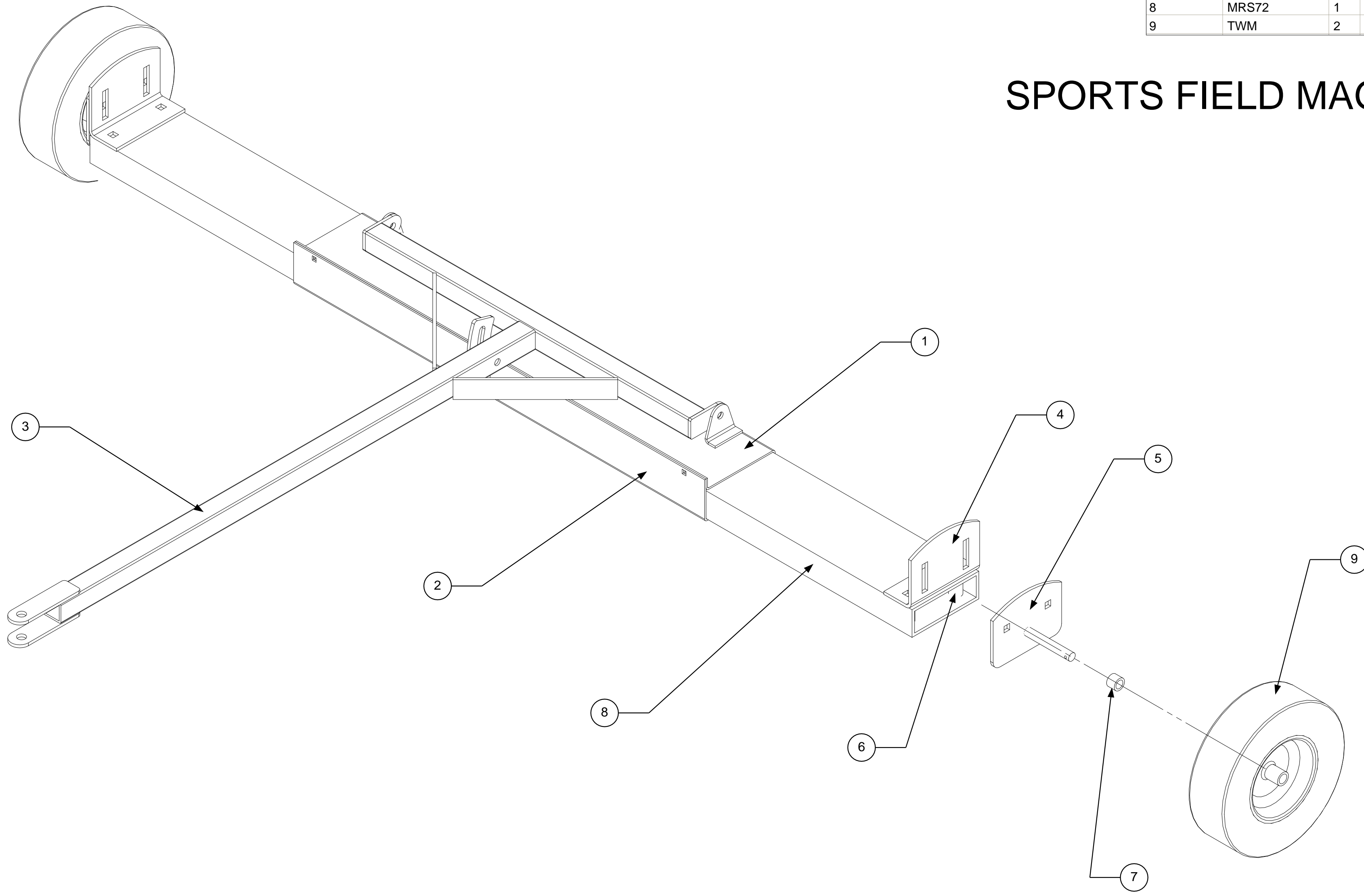


Item No.	Part Number	Qty	Description
1	7510	1	MAGNET BODY
2	7520	1	BODY CLAMP
3	7530	1	DRAWBAR
4	7540	2	AXLE PLATE MOUNT
5	7550	2	AXLE PLATE
6	7560	4	BOLT SPACER
7	7570	2	AXLE SPACER
8	MRS72	1	BAR MAGNET
9	TWM	2	TIRE, MAGNET

SPORTS FIELD MAGNET



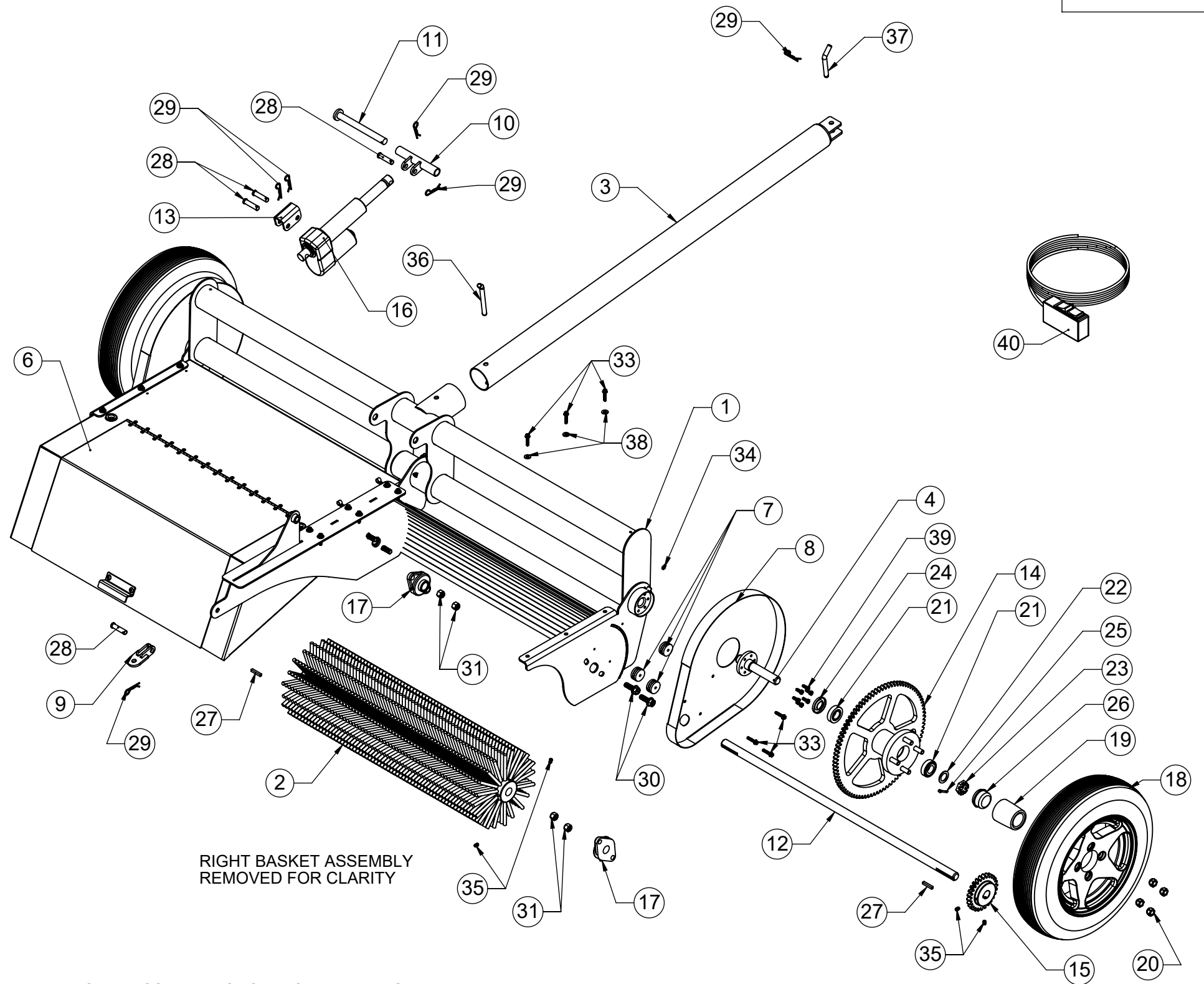
4

3

2

1

ITEM #	PART #	NAME	QTY
1	760-300	LITTERKAT FRAME COMPLETE	1
2	760-60	RADIAL BRUSH	2
3	760-36	DRAWBAR	1
4	760-209	LITTERKAT AXLE	2
5	760-480	BASKET ASSEMBLY - RIGHT	1
6	760-480	BASKET ASSEMBLY - LEFT	1
7	760-16	GEAR GUARD SPACER	18
8	760-58	GEAR COVER	2
9	760-37	DRAWBAR TONGUE WELDMENT	1
10	760-39	ACTUATOR COUPLER	1
11	760-41	ACTUATOR COUPLER PIN	1
12	760-38	BRUSH AXLE	2
13	760-321	ACTUATOR COUPLER LOWER	1
14	760-04-2	GEAR LARGE - TS687	2
15	760-10-2	GEAR SMALL - TS626	2
16	ACT3	ACTUATOR 3	1
17	760-61	FLANGE BEARING - BRUSH ASSEMBLY	4
18	760-01	WHEEL & TIRE ASSEMBLY	2
19	760-01-2	CLOSED END CAP	2
20	LK6	1/2-20 LUG NUT	8
21	760-05	WHEEL BEARING	4
22	LK26	SPINDLE WASHER SHIM	2
23	LK25	SPINDLE CASTLE NUT	2
24	760-07	BEARING SEAL	2
25	LK27	SPINDLE COTTER PIN	2
26	760-06	WHEEL BEARING GREASE CAP	2
27	LK23	WOODRUFF KEY	4
28	LK14	CLEVIS PIN	4
29	21	BRIDGE PIN	7
30	GZ12	1/2-13 x 1.5 FLANGE SHCS - ZINC	4
31	.6	1/2-13 NYLOCK	6
32	.5	1/2-13 x 1.75 HHCS	2
33	LK10	1/4-20 X 1.25 FLANGE SHCS - ZINC	18
34	TS-16	1/4-28 GREASE FITTING	4
35	LK12	5/16-18 X 1/2 SET SCREW	12
36	LK22	1/2 x 4 BENT HITCH PIN	1
37	LK22	1/2 x 4 BENT HITCH PIN	1
38	.7	5/16 FLAT WASHER	12
39	LK35	1/4-20 X 3/4 HHCS GRADE 8	12
40	LCSB	LCSB	1



BASKET ASSEMBLY SHOWN ON NEXT PAGE

SCALE:	GreensGroomer WorldWide, Inc. INDIANAPOLIS INDIANA U.S.A.	
DATE:	The Total Turf Conditioning Company	
DWG. BY:	NAME: 760 LITTERKAT	
SIZE B	DWG. NO.: 760 LITTERKAT	REV -

A

B

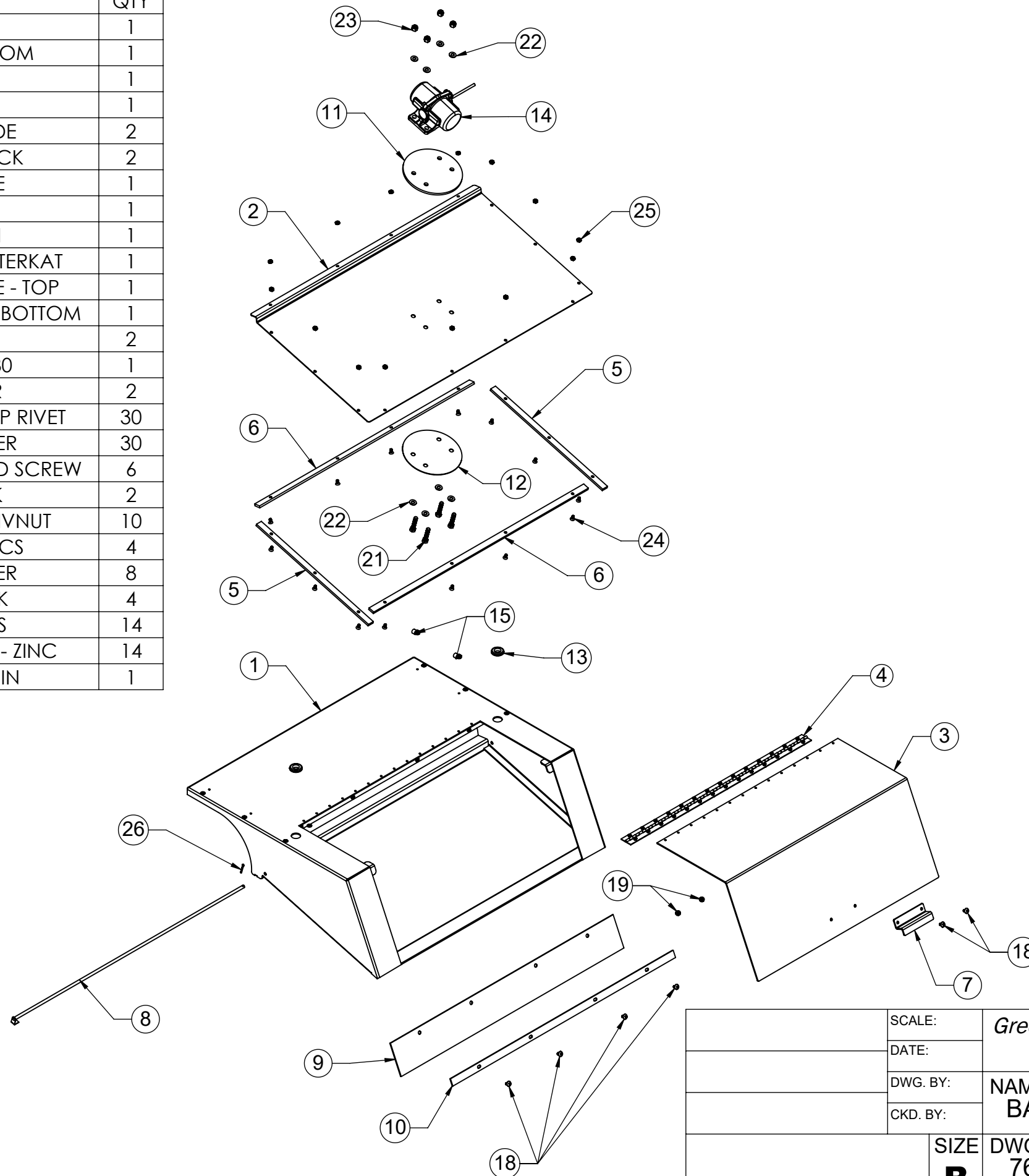
C

D

E

G

ITEM #	PART #	NAME	QTY
1	760-480-1	BASKET FRAME	1
2	760-480-2	PERFORATED BOTTOM	1
3	760-480-4	DOOR PANEL	1
4	760-480-3	DOOR HINGE	1
5	760-480-20	UHMW STRIP - SIDE	2
6	760-480-21	UHMW STRIP - BACK	2
7	760-48-12	BASKET HANDLE	1
8	760-48-11	BASKET ROD	1
9	760-480-30	VINYL CURTAIN	1
10	760-480-22	CURTAIN BACKER - LITTERKAT	1
11	760-48-9	VIBRATOR MTG PLATE - TOP	1
12	760-48-10	VIBRATOR MTG PLATE - BOTTOM	1
13	33	GROMMET	2
14	760-59	VIBRATOR - DC80	1
15	LK30	CABLE HOLDER	2
16	LK20	3/16 X 3/8L ALUM. POP RIVET	30
17	LK21	5/16 FLAT WASHER	30
18	LK18	1/4-20 X 1/2 TRUSS HEAD SCREW	6
19	TS4	1/4-20 NYLOCK	2
20	LK17	1/4-20 ALUMINUM RIVNUT	10
21	LK2	3/18-16 x 1.75 HHCS	4
22	.7	5/16 FLAT WASHER	8
23	.9	3/18-16 NYLOCK	4
24	LK37	1/4-20 X .5 FHCS	14
25	.94	1/4-20 THIN NYLOCK - ZINC	14
26	W7	1/8 X 1 COTTER PIN	1



SCALE:	GreensGroomer WorldWide, Inc. INDIANAPOLIS INDIANA U.S.A.
DATE:	
DWG. BY:	NAME: BASKET ASSEMBLY
CKD. BY:	
SIZE B	DWG. NO.: 760-480
	REV -

A B C D E G