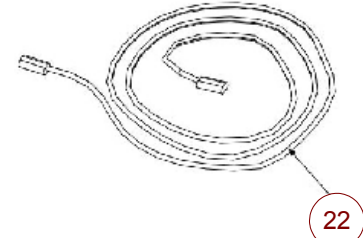
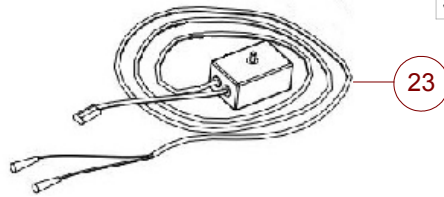
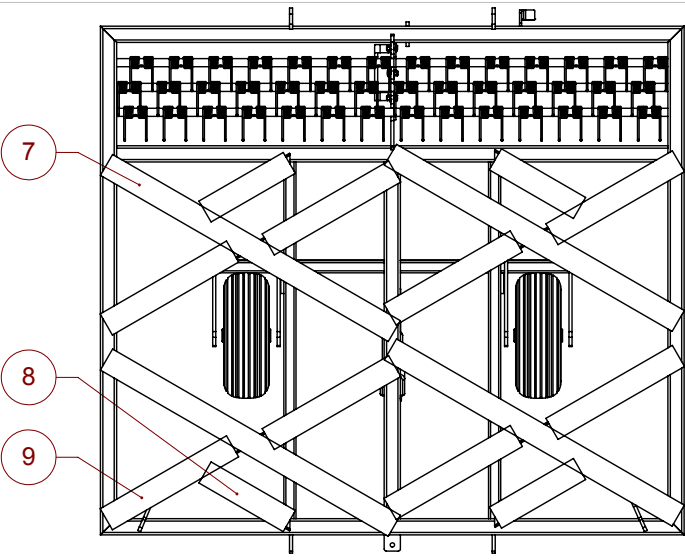
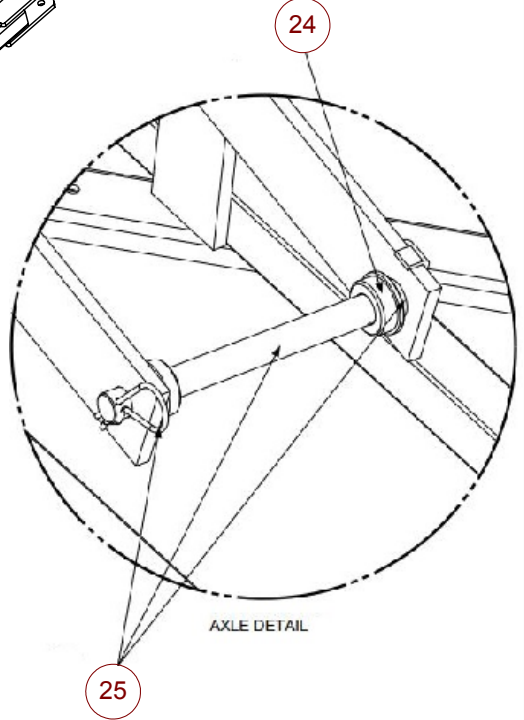
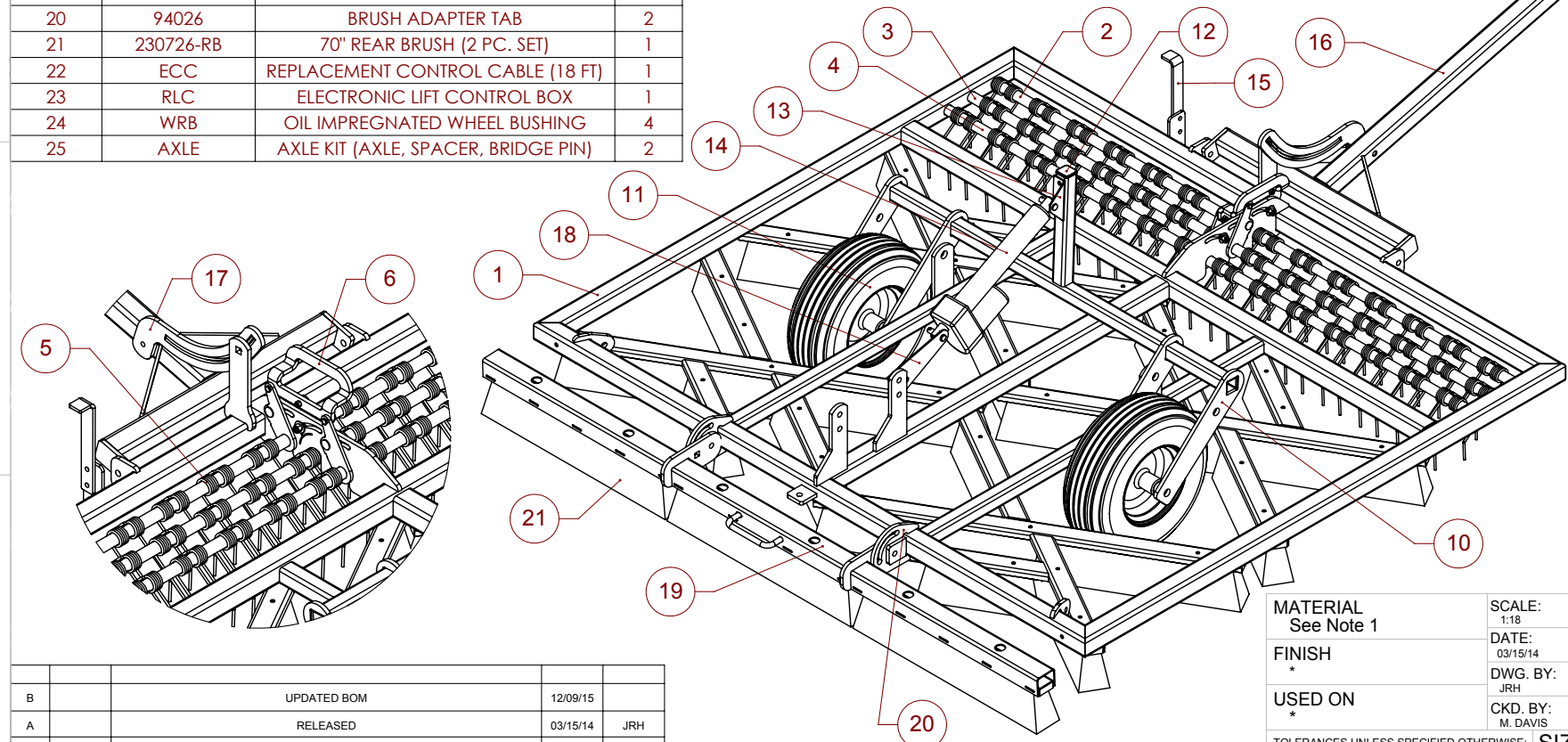


ITEM NO.	PartNo	NAME	QTY.
1	9260	GROOMER WELDMENT INT STR	1
2	9270	FRONT TINE TUBE WELDMENT	1
3	9280	CENTER TINE TUBE WELDMENT	1
4	9290	REAR TINE TUBE WELDMENT	1
5	7315	SPRING TINE	42
6	92231	HANDLE STR	1
7	41-IN BRUSH	41-IN BRUSH	4
8	12 IN BRUSH	12 (11) IN BRUSH	4
9	18 IN BRUSH	18 IN BRUSH	8
10	9220	WHEEL LIFT WELDMENT XL	1
11	TWB	15 IN WHEEL	2
12	END PLUG	END PLUG	1
13	7270	UPPER CYLINDER MOUNT	1
14	ACT 1	8 IN ACTUATOR	1
15	7233	JACK STAND	1
16	7230	DRAWBAR WELDMENT	1
17	9263	DRAWBAR ADJ. BRACKET - CURVED	1
18	7272	LOWER CYLINDER MOUNT	1
19	9501	REAR BRUSH MOUNT	1
20	94026	BRUSH ADAPTER TAB	2
21	230726-RB	70" REAR BRUSH (2 PC. SET)	1
22	ECC	REPLACEMENT CONTROL CABLE (18 FT)	1
23	RLC	ELECTRONIC LIFT CONTROL BOX	1
24	WRB	OIL IMPREGNATED WHEEL BUSHING	4
25	AXLE	AXLE KIT (AXLE, SPACER, BRIDGE PIN)	2



3



2

1

REV	ECN	DESCRIPTION	DATE	BY
B		UPDATED BOM	12/09/15	
A		RELEASED	03/15/14	JRH

CONFIDENTIAL - PROPERTY OF GREENSGROOMER WORLDWIDE, INC.

GreensGroomer WorldWide, Inc. INDIANAPOLIS INDIANA U.S.A.
The Total Turf Conditioning Company

NAME: **GROOMER INTEGRATED RAKE**

DWG. NO.: **926**

REV **B**

MATERIAL: See Note 1
FINISH: *
USED ON: *

SCALE: 1:18
DATE: 03/15/14
DWG. BY: JRH
CKD. BY: M. DAVIS

TOLERANCES UNLESS SPECIFIED OTHERWISE:
DEC. .X=±.060 .XX=±.030 .XXX=±.015 ANG ±1°

BURRS .003 MAX. BREAK ALL SHARP CORNERS .005R. MAX. OR .005 MAX. X 45° CHAMFER

SIZE **B**

LAST EDITED: Wednesday, December 09, 2015 9:14:38 PM by James FILE NAME: 926

FOLDER: C:\Users\James\Desktop\Parametric Customers\GreensGroomer\GreensGroomer\SolidWorks Files