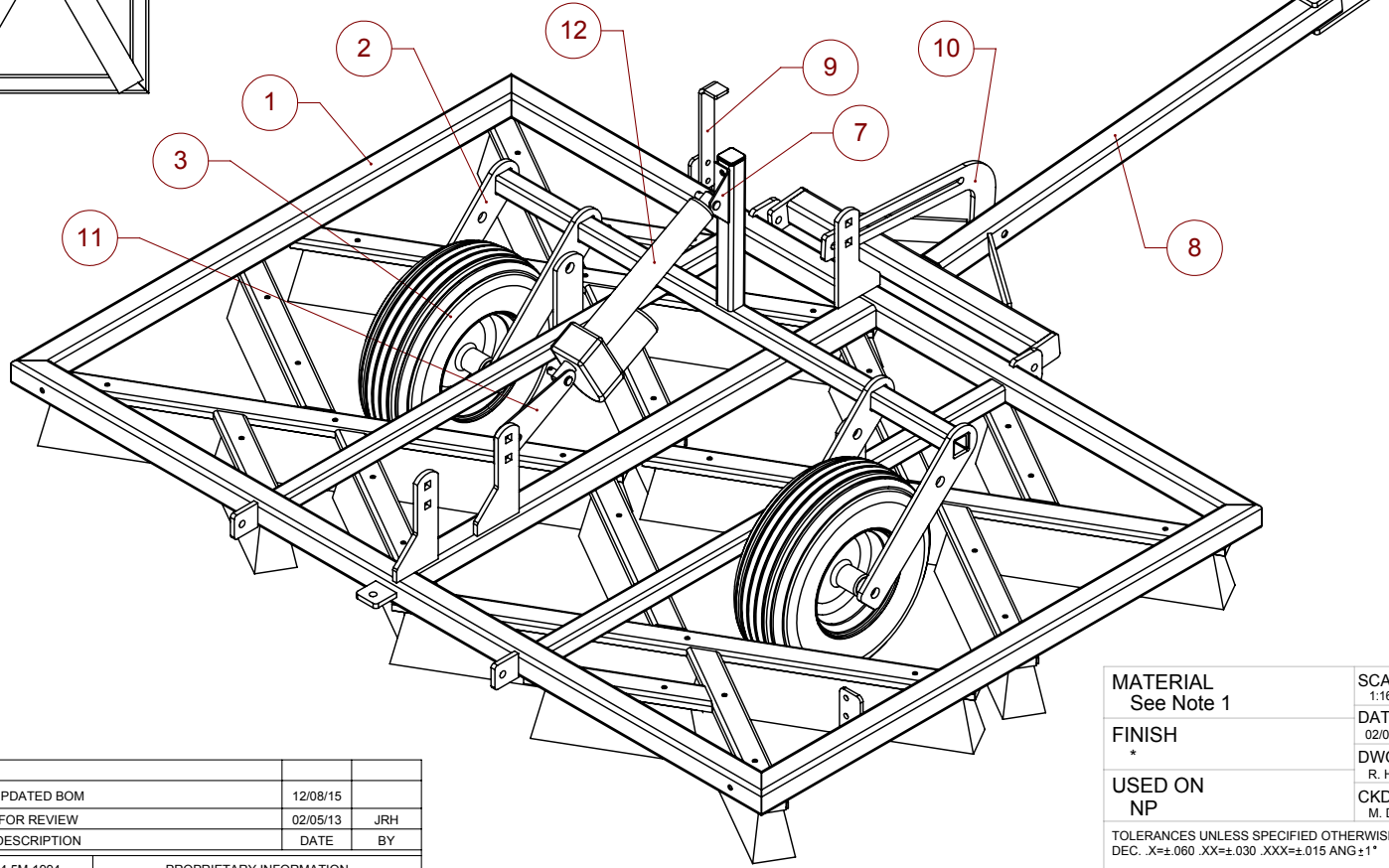
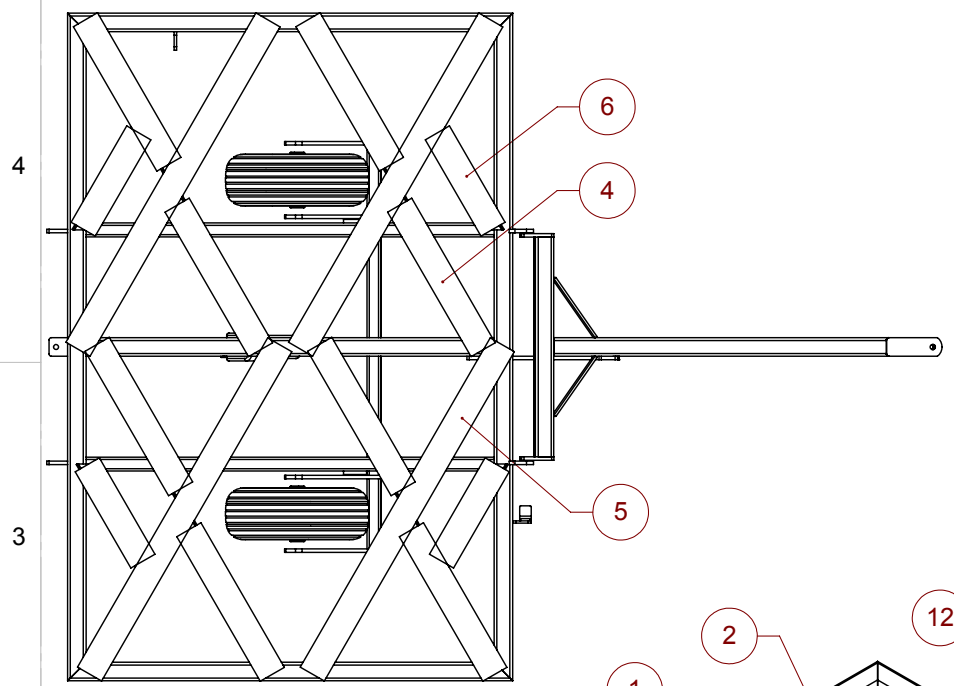
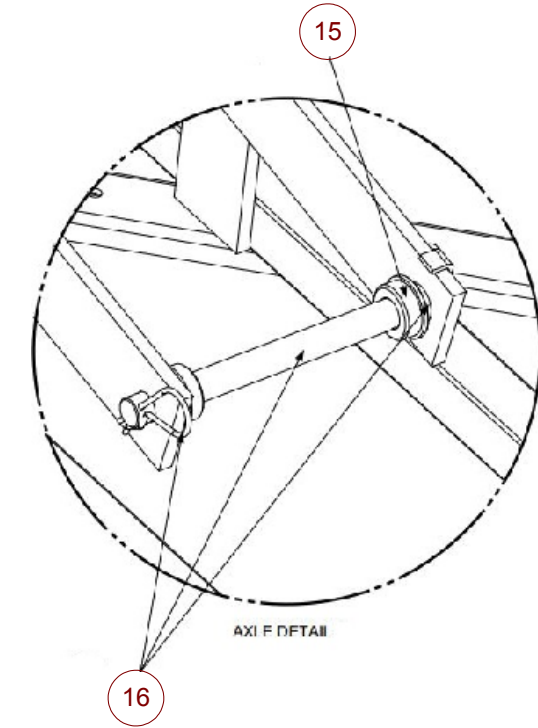
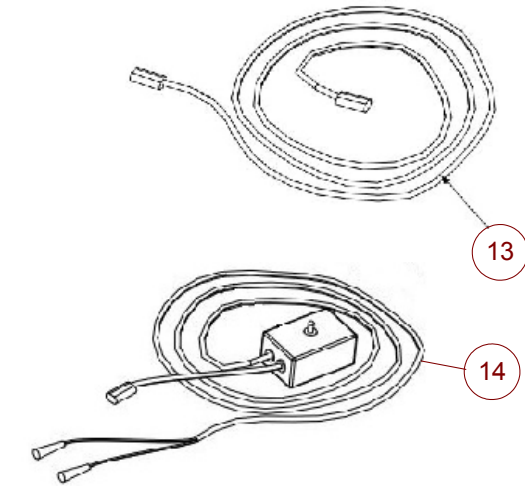


ITEM NO.	PART #	NAME	Default/QTY.
1	9201	GREENSGROOMER XL WELDMENT	1
2	9220	WHEEL LIFT WELDMENT XL	1
3	TWB	15 IN WHEEL	2
4	18 IN BRUSH	18 IN BRUSH	8
5	41-IN BRUSH	41-IN BRUSH	4
6	12 IN BRUSH	12 (11) IN BRUSH	4
7	7270	UPPER CYLINDER MOUNT	1
8	7230	DRAWBAR WELDMENT	1
9	7233	JACK STAND	1
10	7201	DRAWBAR ADJ. BRACKET	1
11	7272	LOWER CYLINDER MOUNT	1
12	ACT 1	8 IN ACTUATOR	1
13	ECC	REPLACEMENT CONTROL CABLE (18 FT)	1
14	RLC	ELECTRONIC LIFT CONTROL BOX	1
15	WRB	OIL IMPREGNATED WHEEL BUSHING	4
16	AXLE	AXLE KIT (AXLE, SPACER, BRIDGE PIN)	2



4  
3  
2  
1

B		UPDATED BOM	12/08/15	
A		FOR REVIEW	02/05/13	JRH
REV	ECN	DESCRIPTION	DATE	BY
DIMENSIONS AND TOLERANCES PER ASME Y14.5M-1994		PROPRIETARY INFORMATION		
ALL DIMENSIONS IN INCHES UNLESS SPECIFIED OTHERWISE		DO NOT SCALE DRAWING		

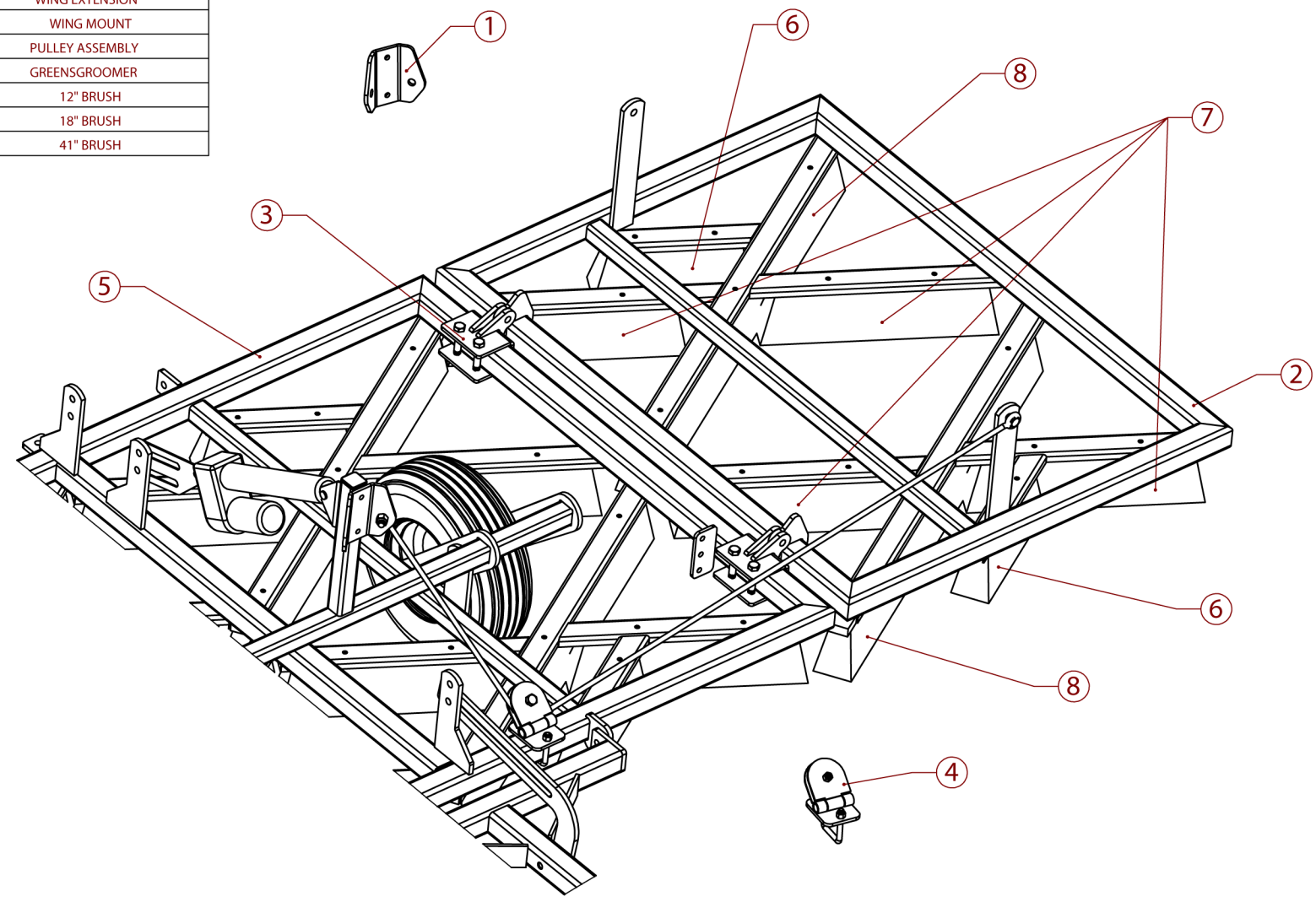
MATERIAL See Note 1	SCALE: 1:16
FINISH *	DATE: 02/05/13
USED ON NP	DWG. BY: R. HANSON
	CKD. BY: M. DAVIS
TOLERANCES UNLESS SPECIFIED OTHERWISE: DEC. .X=±.060 .XX=±.030 .XXX=±.015 ANG ±1° BURRS .003 MAX. BREAK ALL SHARP CORNERS .005R. MAX. OR .005 MAX. x 45° CHAMFER	

<small>CONFIDENTIAL - PROPERTY OF GREENSGROOMER WORLDWIDE, INC.</small> <b>GreensGroomer WorldWide, Inc.</b> INDIANAPOLIS INDIANA U.S.A. The Total Turf Conditioning Company	
NAME: <b>GreensGroomer XL Assembly</b>	REV <b>B</b>
SIZE <b>B</b>	DWG. NO.: <b>920</b>
<small>LAST EDITED: Tuesday, December 08, 2015 11:41:49 PM by James FILE NAME: 920</small> <small>FOLDER: C:\Users\James\Desktop\Parametric Customers\GreensGroomer\GreensGroomer\SolidWorks Files</small>	

A B C D E G

ITEM	PART NO	DESCRIPTION
1	7249	CABLE MOUNT
2	9245	WING EXTENSION
3	9246	WING MOUNT
4	7247 & 7248	PULLEY ASSEMBLY
5	920	GREENSGROOMER
6	12" BRUSH	12" BRUSH
7	18" BRUSH	18" BRUSH
8	41" BRUSH	41" BRUSH

4  
3  
2  
1



A B C D E