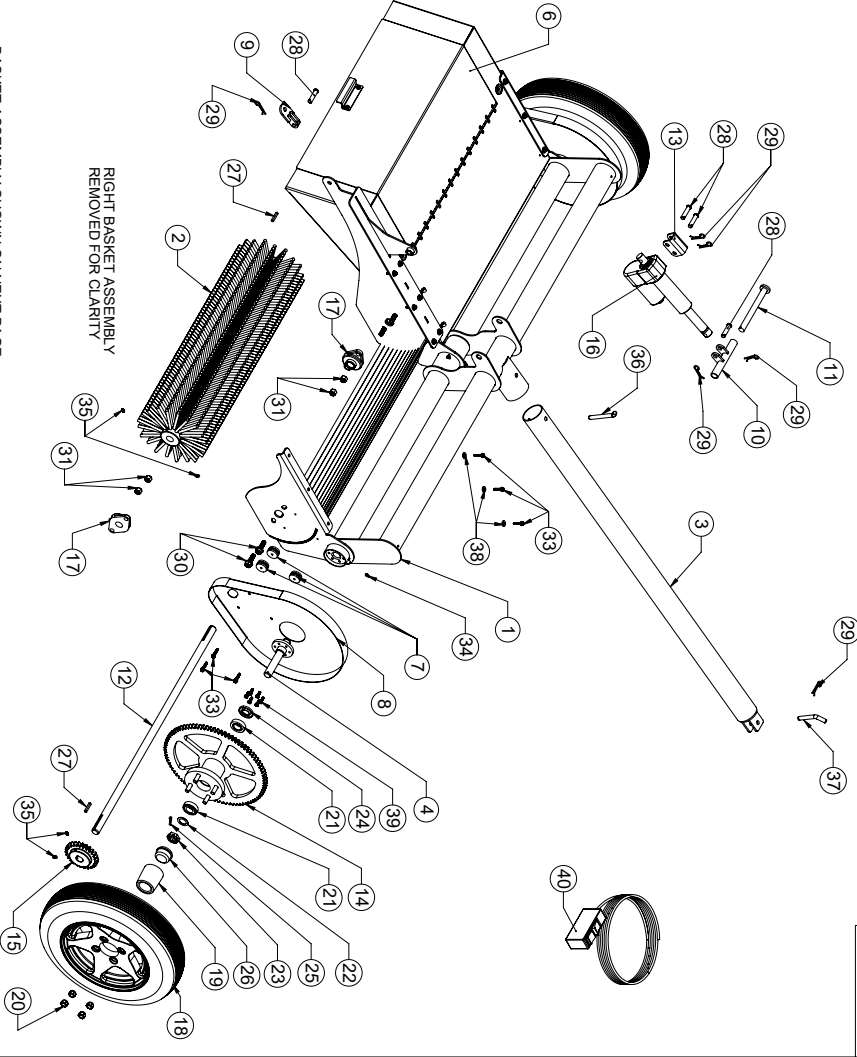


ITEM #	PART #	NAME	QTY
1	760-300	LITTERKAT FRAME COMPLETE	1
2	760-60	RADIAL BRUSH	2
3	760-36	DRAWBAR	1
4	760-209	LITTERKAT AXLE	2
5	760-480	BASKET ASSEMBLY - RIGHT	1
6	760-480	BASKET ASSEMBLY - LEFT	1
7	760-16	GEAR GUARD SPACER	18
8	760-58	GEAR COVER	2
9	760-39	DRAWBAR TONGUE WELDMENT	1
10	760-37	ACTUATOR COUPLER	1
11	760-41	ACTUATOR COUPLER PIN	1
12	760-38	BRUSH AXLE	1
13	760-321	ACTUATOR COUPLER LOWER	2
14	760-04-2	GEAR LARGE - TS687	2
15	760-10-2	GEAR SMALL - TS626	2
16	ACT3	ACTUATOR 3	1
17	760-61	FLANGE BEARING - BRUSH ASSEMBLY	4
18	760-01	WHEEL & TIRE ASSEMBLY	2
19	760-01-2	CLOSED END CAP	2
20	LK6	1/2-20 LUG NUT	8
21	760-05	WHEEL BEARING	4
22	LK26	SPINDLE WASHER SHIM	2
23	LK25	SPINDLE CASTLE NUT	2
24	760-07	BEARING SEAL	2
25	LK27	SPINDLE COTTER PIN	2
26	760-06	WHEEL BEARING GREASE CAP	2
27	LK23	WOODRUFF KEY	4
28	LK14	CLEVIS PIN	4
29	21	BRIDGE PIN	7
30	GZ12	1/2-13 x 1.5 FLANGE SHCS - ZINC	4
31	.6	1/2-13 NYLOCK	6
32	.5	1/2-13 x 1.75 HHCS	2
33	LK10	1/4-20 X 1.25 FLANGE SHCS - ZINC	18
34	TS-16	1/4-28 GREASE FITTING	4
35	LK12	5/16-18 X 1/2 SET SCREW	12
36	LK22	1/2 x 4 BENT HITCH PIN	1
37	LK22	1/2 x 4 BENT HITCH PIN	1
38	.7	5/16 FLAT WASHER	12
39	LK35	1/4-20 X 3/4 HHCS GRADE 8	12
40	LCSB	LCSB	1



BASKET ASSEMBLY SHOWN ON NEXT PAGE

SCALE:		GreensGroomer Worldwide, Inc. INDIANAPOLIS	
DATE:		INDIANA	
DWG. BY:		The Total Turf Conditioning Company U.S.A.	
NAME:		760 LITTERKAT	
SIZE:		B	
DWG. NO.:		760 LITTERKAT	
REV		-	

